

**MICRO SWITCH**

A DIVISION OF MINNEAPOLIS HONEYWELL REGULATOR COMPANY  
MOLLETT, MINN.

FED. MFR. CODE 91929

**SWITCH-ENCLOSED**

CATALOG LISTING  
**EX-N15**

THIS DRAWING COVERS A PROPRIETARY ITEM AND IS THE PROPERTY OF MICRO SWITCH, A DIVISION OF HONEYWELL. THIS DRAWING IS NOT TO BE COPIED OR USED WITHOUT THE APPROVAL OF MICRO SWITCH.

M

EX-N15

RELEASE NO. SR 8075

REPLACES

27 APR 05

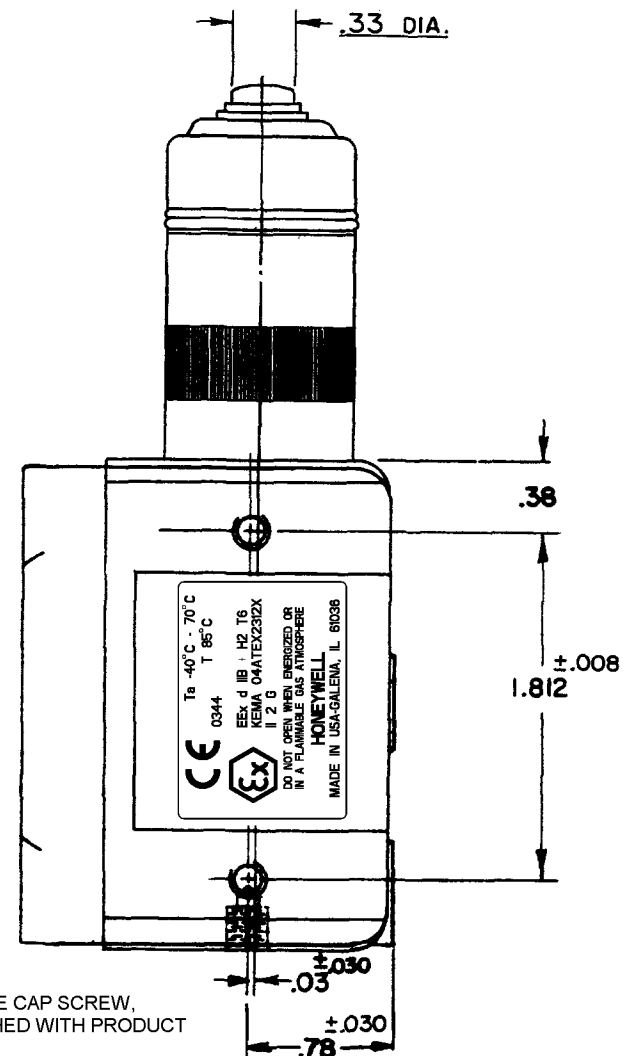
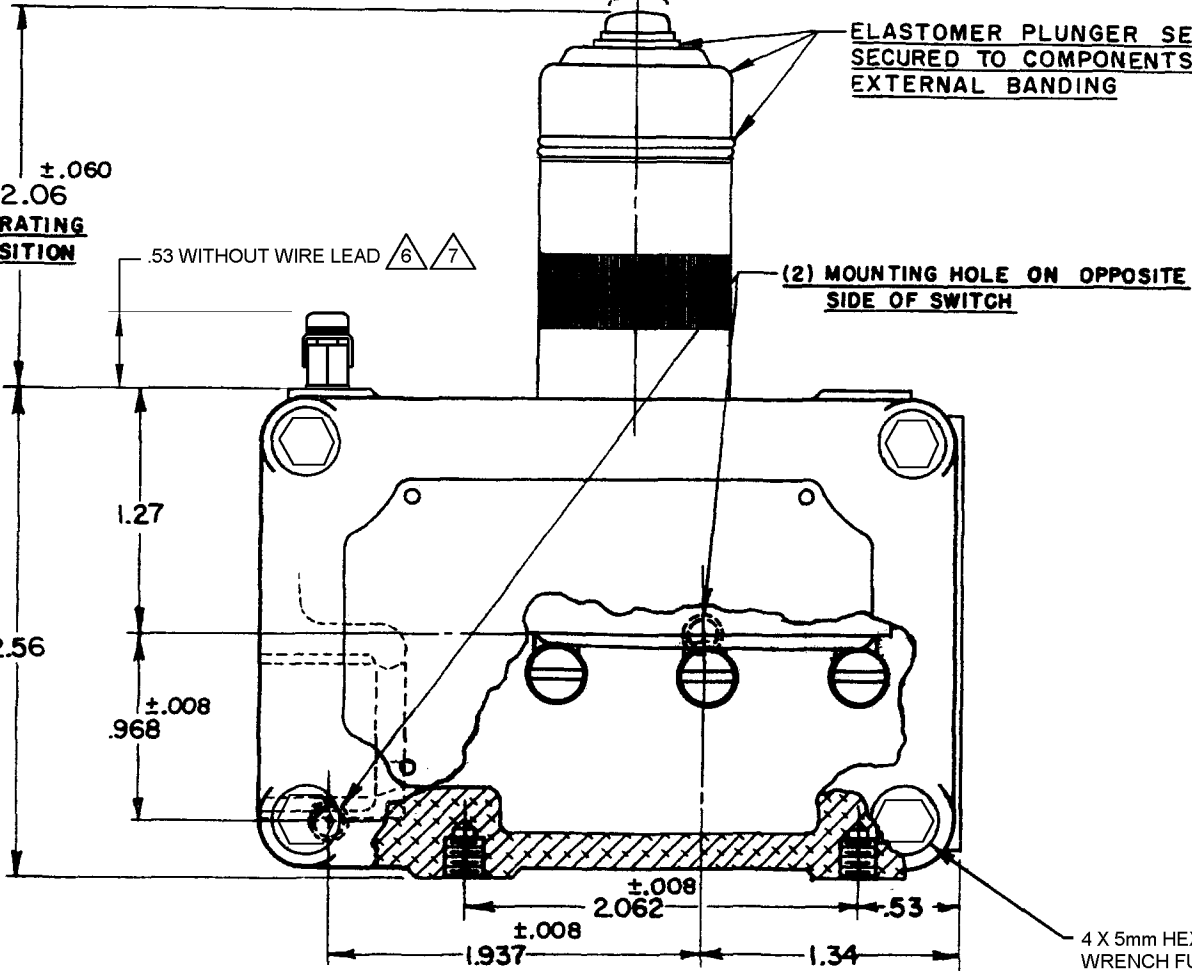
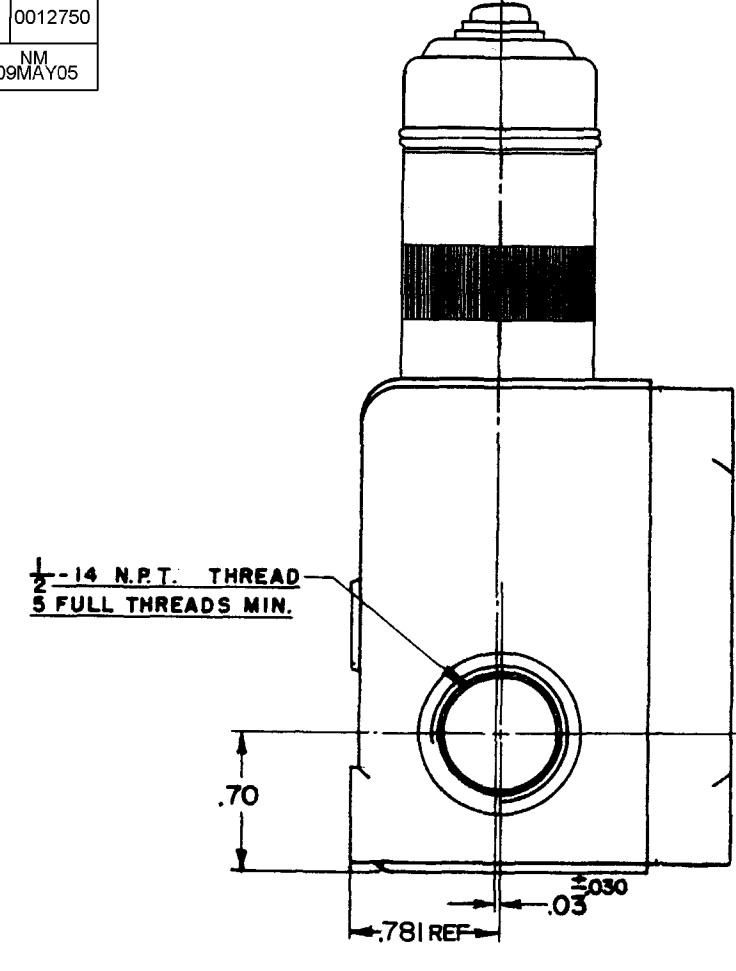
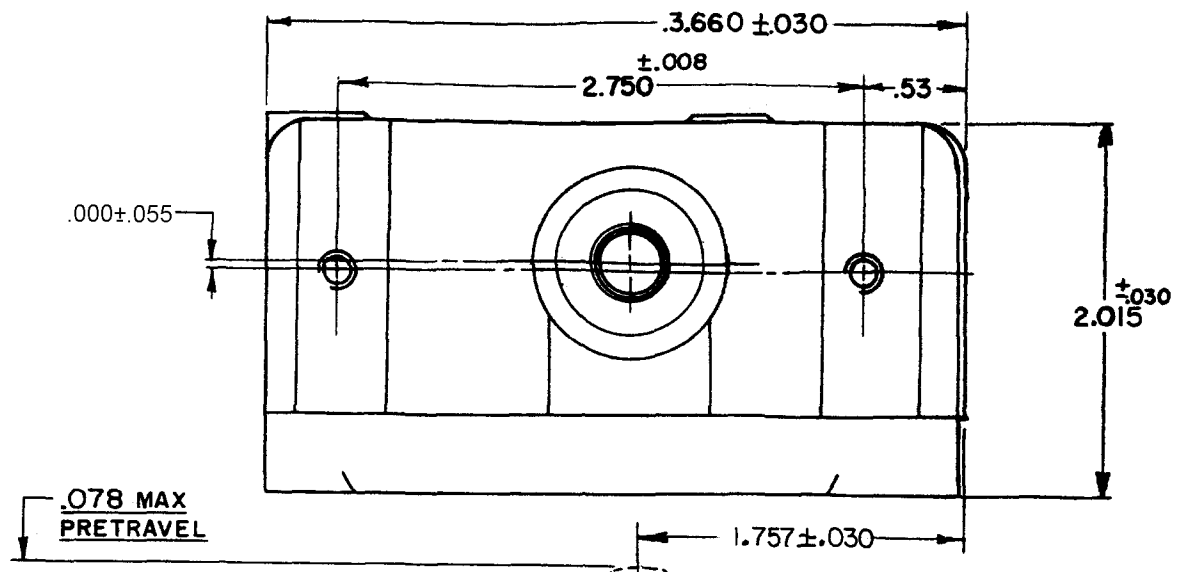
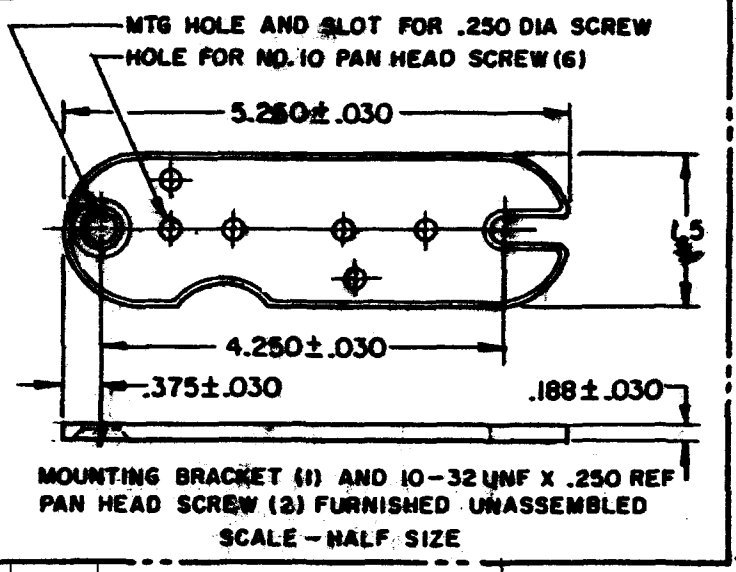
27 APR 05

AK

REVISIONS

A	CO	18276	MBF	18	JUN	64
B	CO	19878	MBF	26	OCT	66
C	CO	26103	DLF	18	JUL	69
D	CO	31559	BEN	10	JUL	73
E	CO	53779A	CSH	9	NOV	85
F	CO	58368	DAW	22	APR	87
G	CO	61381	LJF	26	NOV	91
H	CO	71415	MAM	19	SEP	92
I	CO	77364	GLH	16	AUG	94
J	CO	73019				

16-863



CHARACTERISTICS	
OPERATING FORCE	----- 3 LB MAX
RELEASE FORCE	----- 3/4 LB MIN
DIFFERENTIAL TRAVEL	----- .004 MAX
OVERTRAVEL	----- .188 MIN
SWITCH-BASIC REPLACEMENT	--- BZ-2R15-P4

ELECTRICAL DATA	
CONTACT ARRANGEMENT	SPDT
-L9-	10 A-125, 250, OR 480 VAC 1/2 A-125 VDC; 1/4 A-250 VDC

SCALE - FULL	
DO NOT SCALE PRINT	
UNLESS OTHERWISE SPECIFIED DIMENSIONS ARE IN INCHES	
TOLERANCES ARE:	
ONE PLACE (.0)	±.030
TWO PLACE (.00)	±.015
THREE PLACE (.000)	±.005
ANGLES	
WEIGHT	

NOTE-

1-EXPLOSION PROOF - UNDERWRITERS' LAB INC LISTED FOR HAZARDOUS NEMA 7, LOCATIONS CLASS I, GROUPS C AND D NEMA 9, CLASS II, GROUPS E, F AND G.

2-(8) MOUNTING SCREW HOLE, 10-32 NF-2B THREAD X .219" DEEP.

3-8-32 NC X .219" TERMINAL SCREWS AND CUP WASHERS.

4 - EUROPEAN HAZARDOUS LOCATIONS DESIGNATION: EX d IIB - H2 T6 CATAGORY II 2 G

5 - SEAL RATING: NEMA 1

EXTERNAL GROUND SCREW MAY BE ASSEMBLED TO ANY UNUSED MOUNTING SCREW HOLE

ASSEMBLE PROVIDED SPLIT LOCKWASHER BETWEEN GROUND LUG AND HOUSING

THIS DRAWING COVERS A PROPRIETARY ITEM AND IS THE PROPERTY OF MICRO SWITCH, A DIVISION OF MINNEAPOLIS-HONEYWELL REGULATOR CO. THIS DRAWING IS NOT TO BE COPIED OR USED WITHOUT THE APPROVAL OF MICRO SWITCH.